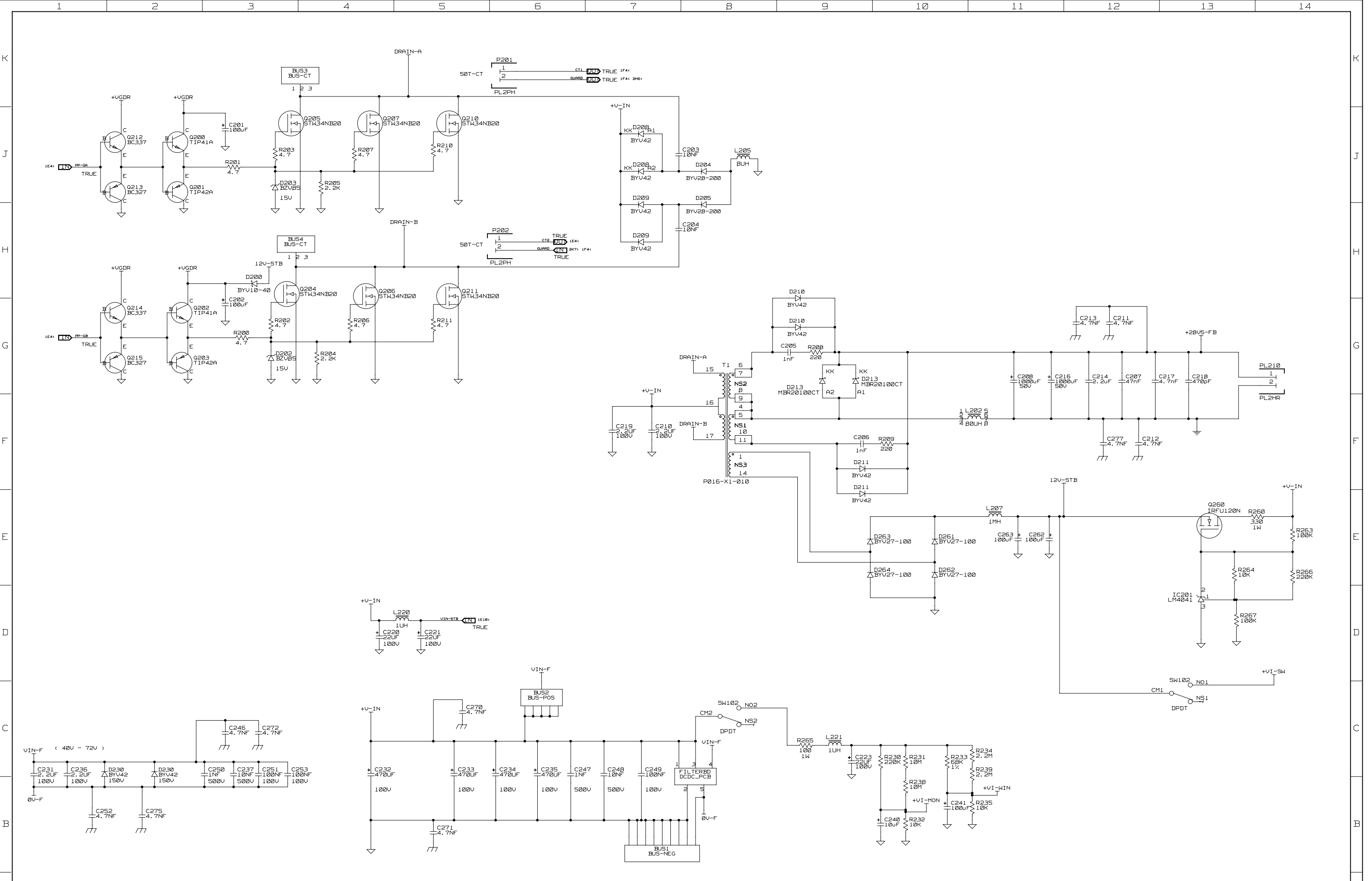


03A	ECO. 1012005B2	TB	RVDC		RVDC	01/05/05
02B	ECO. 101200359	TB			RVDC	24/06/04
02A	ECO. 101200330, 101200346	TB			RVDC	22/04/04
01A	PROTOTYPE CLONED FROM 24V	TB			RVDC	25/02/04
REV/ISS	AMENDMENTS	DRAWN	CHKD	D. O.	APVD	DATE

© TAIT ELECTRONICS		A1
TB8000 PMU		
DC-DC CONVERTER 48V		
IPN:	ISSUE:	VARIANT NUMBER:
220-02050-03	A	?
FILE DATE: Wed Jun 01 11:39:39 2005		
ENGINEER:	FILE NAME:	SHEET NUMBER:
RVDC	220_02050	1 OF 2



01A	PROTOTYPE CLONED FROM 24V	TB	RVDC	25/02/04
REV/ISS	AMENDMENTS	DRAWN	CHKD	D. O.
1		APVD	DATE	

© TAIT ELECTRONICS		A1
TB8000 PMU		
DC-DC CONVERTER 48V		
IPN:	ISSUE:	VARIANT NUMBER:
220-02050-03	A	?
FILE DATE: Thu May 26 09:48:14 2005		
ENGINEER:	FILE NAME:	SHEET NUMBER:
RVDC	220_02050	2 OF 2